

6904M2DI 6900Z4 ASSEMBLY

PRODUCT NUMBER

00690457B01

DESIGN FEATURES

MATERIALS

GRATE - DUCTILE IRON
ASTM A536

FRAME - GRAY IRON
ASTM A48 CL35B

DESIGN LOAD

EXTRA HEAVY DUTY
(PROOF LOAD TESTED
TO 200,000 LBS.)

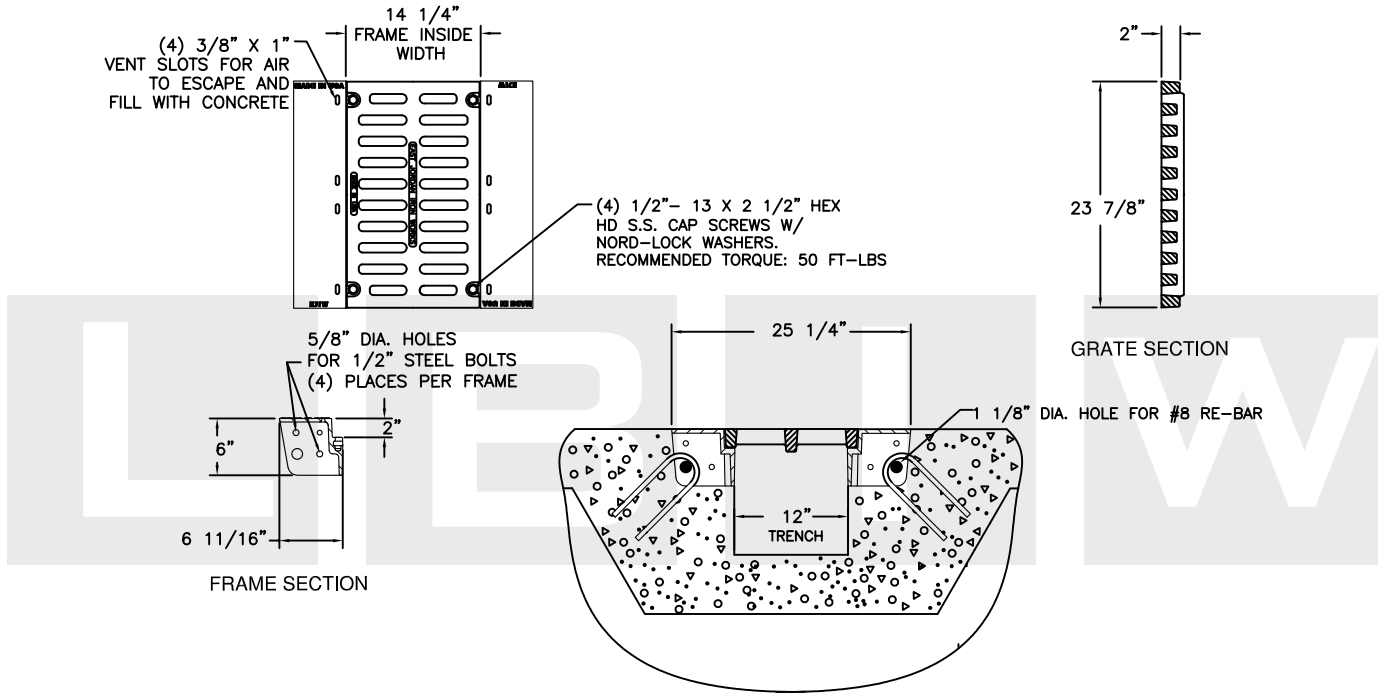
COATING

UNDIPPED

OPEN AREA

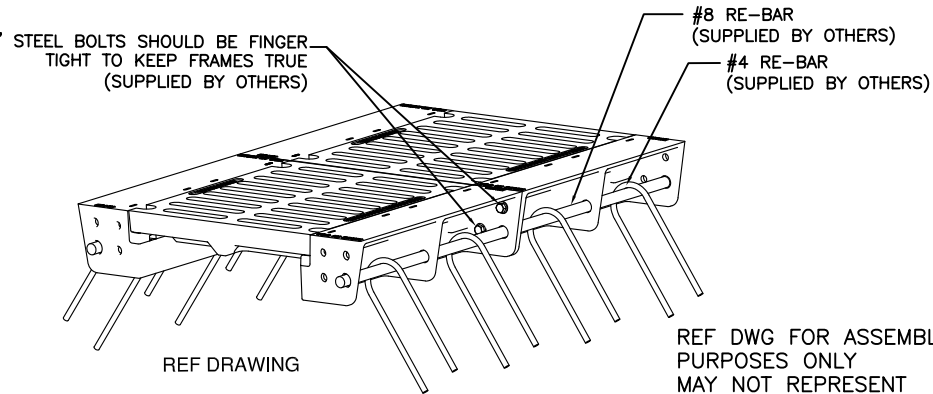
98 SQ. INCHES

√ DESIGNATES MACHINE SURFACE



FRAME SECTION

GRATE SECTION



REF DRAWING

REF DWG FOR ASSEMBLY
PURPOSES ONLY
MAY NOT REPRESENT
ACTUAL GRATE LISTED.

CAUTION:
DO NOT DISASSEMBLE BOLTED GRATES.
CHECK FRAME WIDTH INSIDE BEFORE
SETTING SECTIONS IN CONCRETE.

NOTE: PALLETIZE WITH WOOD BLOCKING SO GRATES ARE SUPPORTED AND STAY FLUSH AND PARALLEL WITH TOP SURFACES OF SIDE FRAMES. ENDS OF SIDE FRAMES MUST BE PARALLEL AND IN-LINE. GRATE MUST NOT EXTEND PAST ENDS OF SIDE FRAMES. GRATE MUST BE FLUSH OR BACK SLIGHTLY. CHECK BOTH ENDS OF ASSEMBLY WITH STRAIGHT EDGE. DOUBLE BAND PALLET, BOTH DIRECTIONS WITH HEAVY STEEL BANDING. DO NOT SHRINK WRAP.

Call Today for
More Information

800.626.4653

EJIW EAST JORDAN
IRON WORKS EST 1883
WE COVER YOUR INFRASTRUCTURE

www.ejiw.com
MADE IN THE USA

- Weights (lbs./kg.), dimensions (inches/mm.), and drawings provided for your guidance.
- We reserve the right to modify specifications without prior notice.
- Uncontrolled distribution.

CONFIDENTIAL: This drawing is the property of East Jordan Iron works, Inc., and embodies confidential information, registered marks, trade secret information, and/or know how that is the property of East Jordan Iron Works, Inc. ©Copyright 2009 East Jordan Iron Works, Inc.

REFERENCE INFORMATION

00690011
00690457

DRAWING DETAILS

ORIGINAL DRAWING: JIJ 02/24/10

REVISED BY: SMM 07/06/11

Corporate
Headquarters
301 Spring Street
PO Box 439
East Jordan, MI
49727-0439
800.874.4100

EJ GROUP