

6900Z1 /6904M2 DI ASSEMBLY

PRODUCT NUMBER

00690452B01

DESIGN FEATURES

MATERIALS

GRATE- DUCTILE IRON
ASTM A536

FRAME-GRAY IRON
ASTM A48 CL35B

DESIGN LOAD

EXTRA HEAVY DUTY
PROOF LOAD TESTED
TO 200,000 LBS.

COATING

DIPPED

OPEN AREA

48 SQ. INCHES PER FOOT

√ DESIGNATES MACHINED
SURFACE

SPECIAL FEATURES

BOLTING

REFERENCE INFORMATION

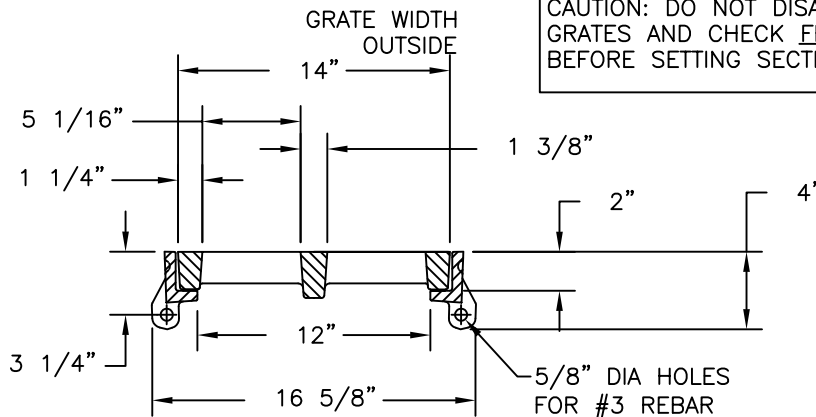
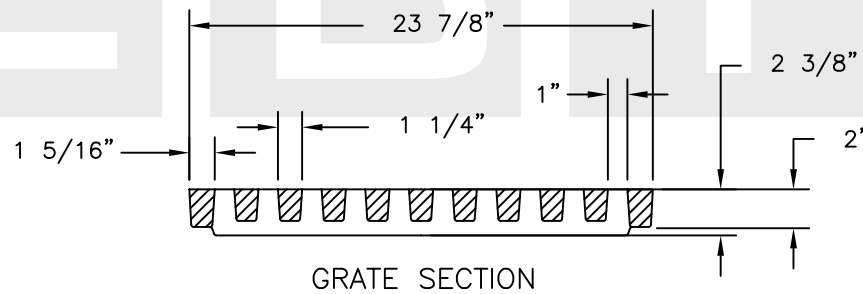
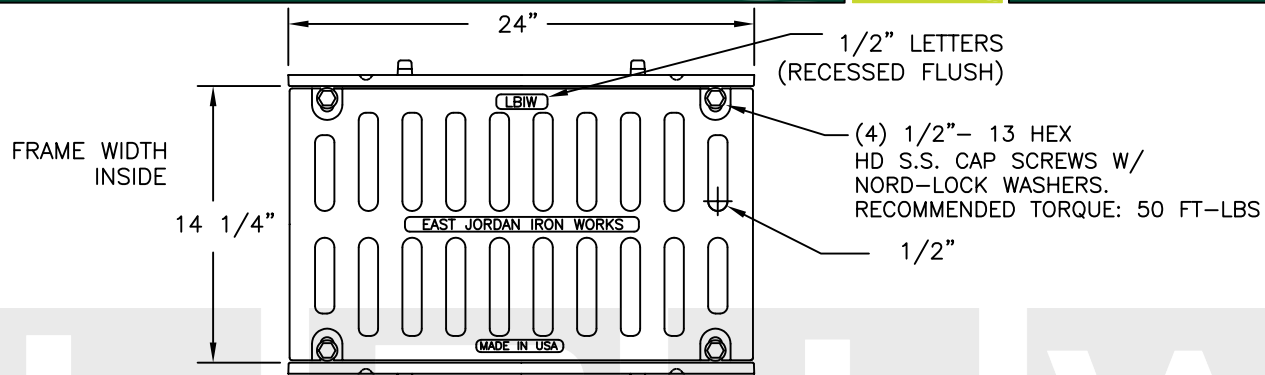
00690423

00690451

DRAWING DETAILS

ORIGINAL DRAWING: DEF 01/29/10

REVISED BY:



Corporate
Headquarters
301 Spring Street
PO Box 439
East Jordan, MI
49727-0439
800.874.4100



Call Today for
More Information

800.626.4653

EJIW EAST JORDAN
IRON WORKS EST 1883
WE COVER YOUR INFRASTRUCTURE

www.ejiw.com
MADE IN THE USA

- Weights (lbs./kg.) dimensions (inches/mm.), and drawings provided for your guidance.
- We reserve the right to modify specifications without prior notice.
- Uncontrolled distribution.

CONFIDENTIAL: This drawing is the property of East Jordan Iron works, Inc., and embodies confidential information, registered marks, trade secret information, and/or know how that is the property of East Jordan Iron Works, Inc. ©Copyright 2009 East Jordan Iron Works, Inc.