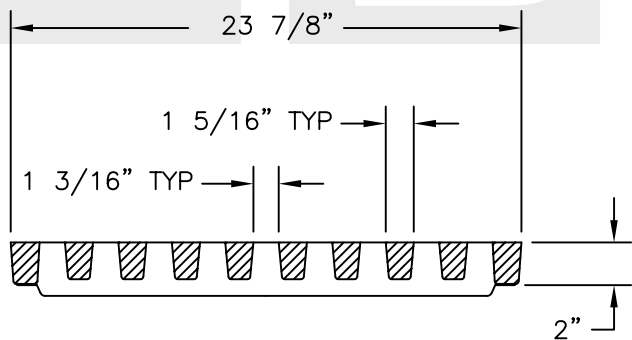
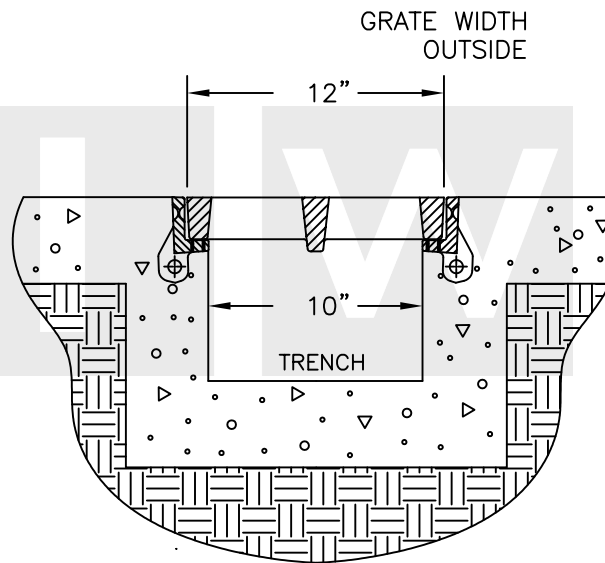


CAUTION: DO NOT DISASSEMBLE BOLTED GRATES AND CHECK FRAME WIDTH INSIDE BEFORE SETTING SECTIONS IN CONCRETE.

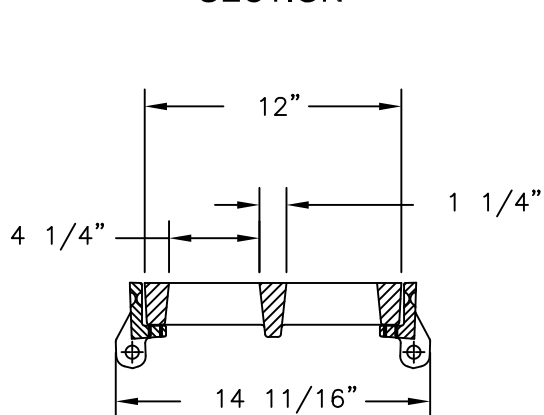
(4) 1/2"- 13 X 2 1/4" HEX HD S.S. CAP SCREWS W/SS LOCK AND PLAIN WASHERS



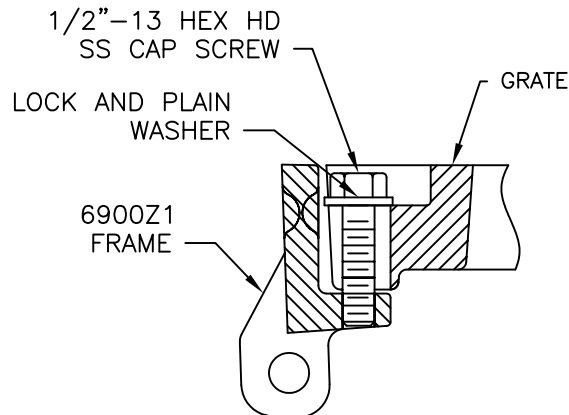
SECTION



SECTION



SECTION



BOLT DETAIL

EJIW EAST JORDAN
IRON WORKS EST.1883

800-626-4653
www.ejiw.com
MADE IN USA

PRODUCT NUMBER

00690306

CATALOG NUMBER
6903M2DI
6900Z1

TRENCH GRATE ASSEMBLY

EXTRA HEAVY DUTY
(PROOF LOAD TESTED TO 200,000 LBS.)

COATING
UNDIPPED

MATERIAL SPECIFICATION
GRATE- DUCTILE IRON
ASTM A536
FRAME - GRAY IRON
ASTM A48 CL35B

OPEN AREA
N/A

√ DESIGNATES MACHINED SURFACE

DRAWN GAD	DATE 06/05/08
--------------	------------------

LAST REVISED SMM	DATE 02/02/11
---------------------	------------------

REFERENCE INFORMATION

00690023
00690346