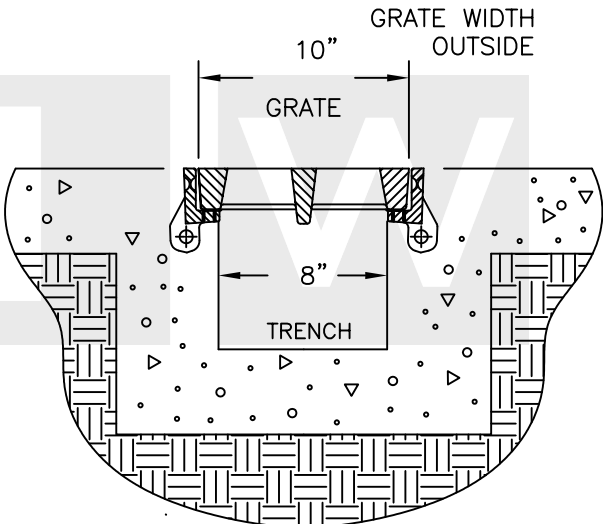
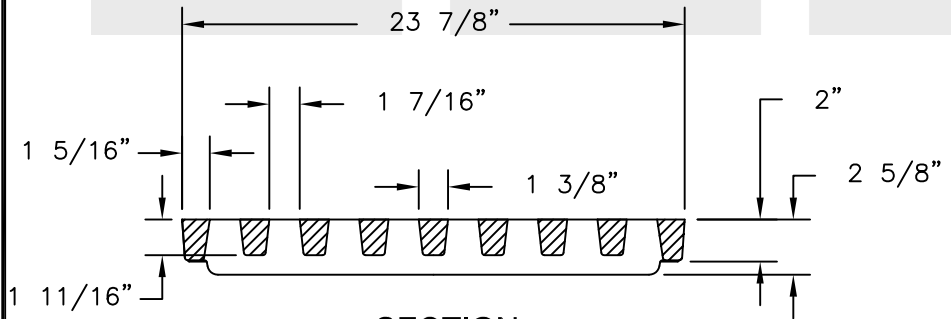


CAUTION: DO NOT DISASSEMBLE BOLTED GRATES AND CHECK FRAME WIDTH INSIDE BEFORE SETTING SECTIONS IN CONCRETE.

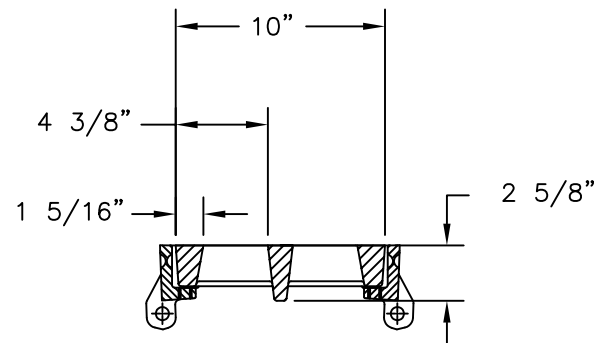
(4) 1/2"- 13 X 2" HEX HD S.S. CAP SCREWS W/SS LOCK AND PLAIN WASHERS



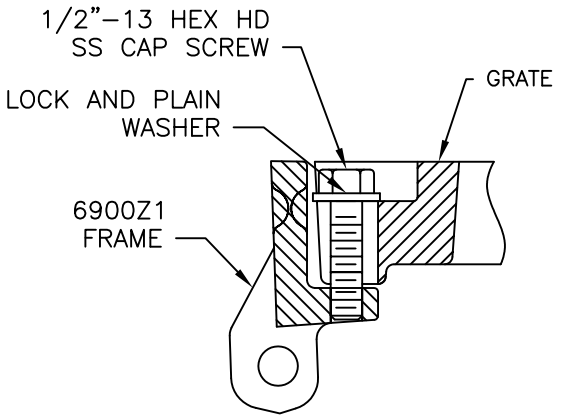
SECTION



SECTION



SECTION



BOLT DETAIL

EJIW EAST JORDAN
IRON WORKS EST.1883

800-626-4653
www.ejiw.com
MADE IN USA

PRODUCT NUMBER
00690201

CATALOG NUMBER
6902M2DI
6900Z1

TRENCH FRAME ASSEMBLY

LOAD RATING
EXTRA HEAVY DUTY
(PROOF LOAD TESTED TO 200,000 LBS.)

COATING
UNDIPPED

MATERIAL SPECIFICATION
GRATE- DUCTILE IRON
ASTM A536
FRAME- GRAY IRON
ASTM A48 CL35B

OPEN AREA
34 SQ. IN./FT.

√ DESIGNATES MACHINED SURFACE

DRAWN TCL	DATE 08/19/04
LAST REVISED SMM	DATE 02/02/11

REFERENCE INFORMATION

00690023
00690244

CONFIDENTIAL: This drawing is the property of East Jordan Iron Works, Inc. and embodies confidential information, trade secret information, and/or know how that is the property of East Jordan Iron Works, Inc. © Copyright 2007 East Jordan Iron Works, Inc.