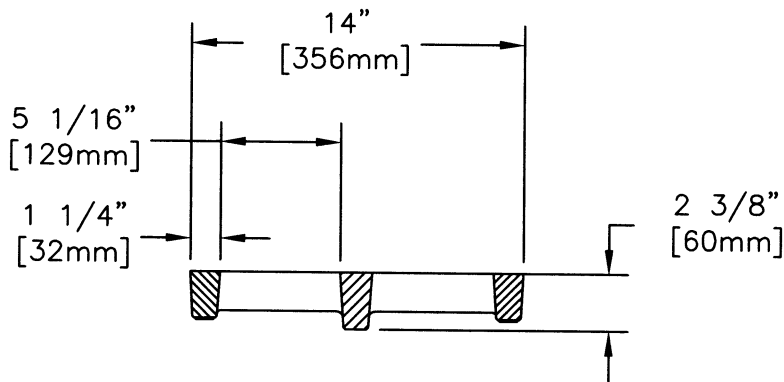


GRATE SECTION



GRATE SECTION

**EJIW EAST JORDAN**  
IRON WORKS EST.1883

800-626-4653  
www.ejiw.com  
MADE IN USA

PRODUCT NUMBER

**00690440**

CATALOG NUMBER

**6904M2**

**TRENCH GRATE**

LOAD RATING  
**HEAVY DUTY**

COATING  
**UNDIPPED**

MATERIAL SPECIFICATION

GRATE - GRAY IRON  
ASTM A48 CL35B

OPEN AREA  
98 SQ. IN.

√ DESIGNATES MACHINED  
SURFACE

DRAWN  
TRI

DATE  
01/25/05

LAST REVISED  
KH

DATE  
01/16/09

CONFIDENTIAL: This drawing is the property of East Jordan Iron Works, Inc. and embodies confidential information, trade secret information, and/or know how that is the property of East Jordan Iron Works, Inc. © Copyright 2007 East Jordan Iron Works, Inc.