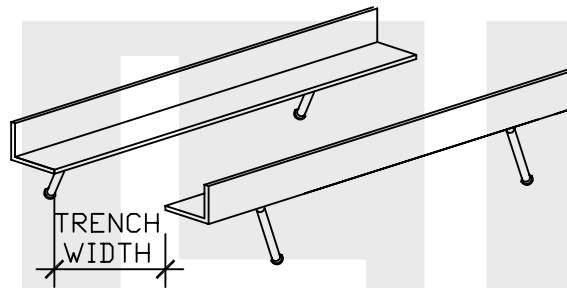
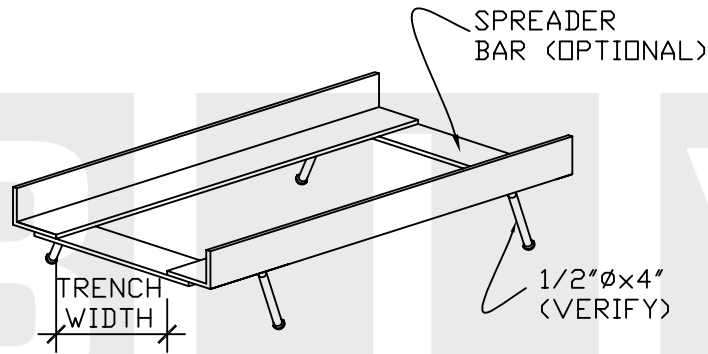


GRATE



FRAME



FRAME

NOTE : SIDE FRAMES ARE FURNISHED IN 20'-0" LENGTHS

LB 2422

CATALOG NUMBER	GRATE MEASUREMENT	TRENCH WIDTH	GRATE HEIGHT	APPROX. WEIGHT
LB 2422H	6" x 24"	4"	2"	32 lbs
LB 2422I	8" x 24"	6"	2"	40 lbs
LB 2422J	10" x 24"	8"	2"	52 lbs
LB 2422K	12" x 24"	10"	2"	64 lbs



LBIW Inc.

2020 WEST 14TH STREET
LONG BEACH, CA. 90813
Tel No. : (562) 432.5451
Fax No. : (562) 432.5929

www.lbiw.com

PRODUCT NUMBER

LB 2422/X-318

FRAME TYPE A

LOAD RATING

TRAFFIC RATED

COATING

GRATE - ASPHALTUM OR GALVANIZED

FRAME - GALVANIZED

EST. WEIGHT

WEIGHTS MAY VARY
MINUS 5 %, PLUS 10 %

SPECIFICATION

OPEN AREA

DESIGNATES MACHINED

DRAWN

EB

DATE

12-15-08

REVISED

05-28-09

DATE

REFERENCE INFORMATION

SECTION 05